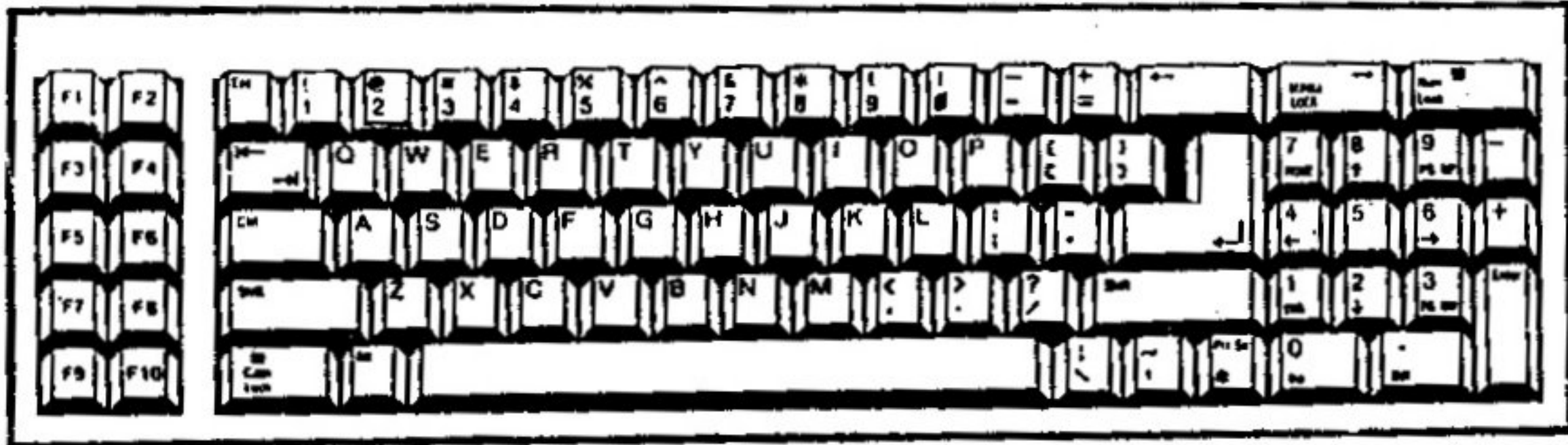


# RANIER 99



*MODEL 99/84*

*KEYBOARD*

*ENHANCEMENT*

**STOP**

HAZARDOUS VOLTAGES ARE EXPOSED INSIDE CONSOLE WHEN ENERGIZED. TURN OFF SYSTEM AND REMOVE POWER SUPPLY CORD BEFORE BEGINNING.

**NOTE**

Optional LOAD/RESET features should not be installed until after the RAVE 99 keyboard interface has been installed using the procedure below and operationally tested.

**NOTE**

According to TEXAS INSTRUMENTS, some of the older 99/4A consoles have a "keyed connector" in the power cable between the power supply board and the main board. If your computer has this type of connectors, you will need an adapter kit to connect the interface board to your computer. RAVE 99 will supply this adapter kit FREE OF CHARGE. RAVE 99 will send the kit promptly upon notification of need.



- 1) On black consoles, remove the ON/OFF switch by gently prying it away from the console.
- 2) Place the console "bottom up" and remove the phillips head screws (1 thru 7) from the bottom cover. See FIG 1. Place the screws aside for reinstallation. Remove the bottom cover and set aside.

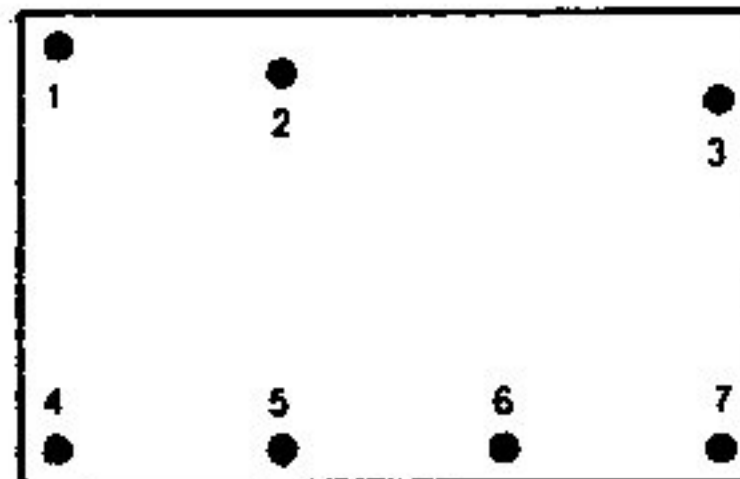


Figure 1  
BOTTOM VIEW

- 3) Remove and save screws securing power supply board. Disconnect the cable going to the main board and set power supply board aside. See FIG 2.
- 4) Remove screws (1,2, and 3 only) securing main shielded circuit board (motherboard) and screws securing keyboard and set aside. See FIG 2. The main board and keyboard should remain in place.

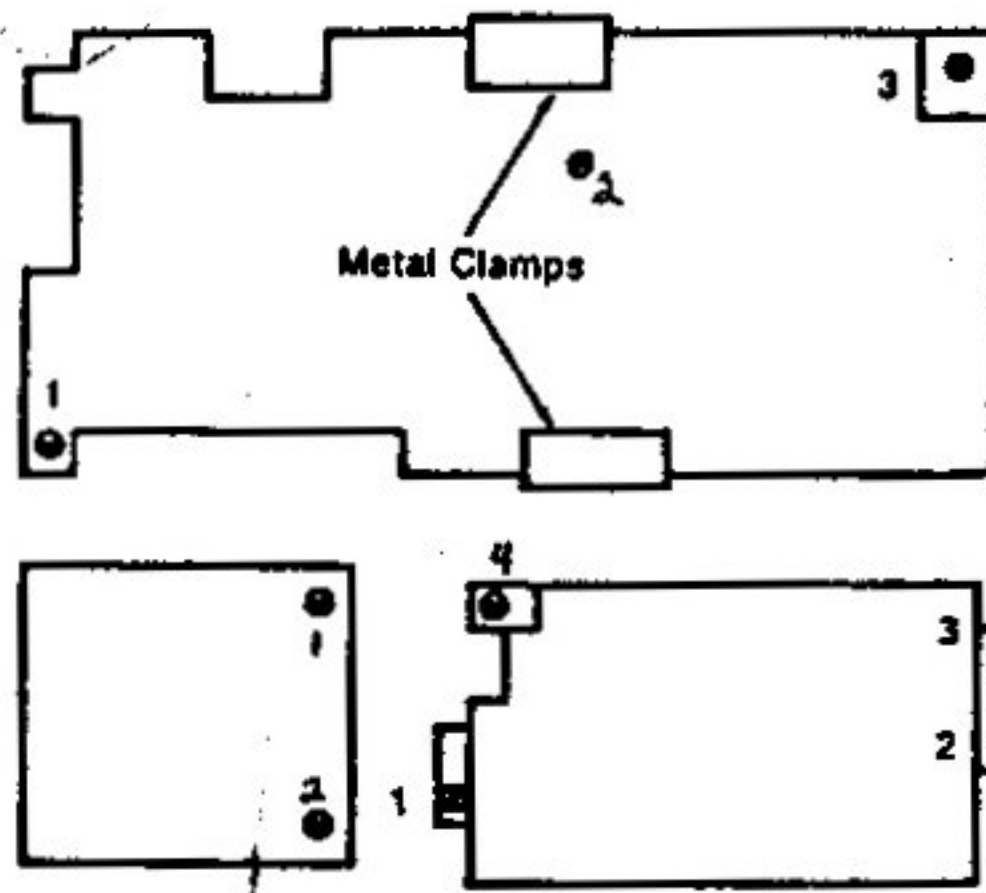


Figure 2  
BOTTOM VIEW

- 5) Place console bottom cover back to its original position. Grasp both top and bottom covers of the computer and place console such that the top cover is up. Remove the console top cover and set aside.

**NOTE:** If installing the optional console cover, the cover posts should be installed per kit instructions prior to this next step.

- 6) Unplug the 15 pin connector between the TI keyboard and main board, then remove the TI keyboard. Place the RAVE 99 Interface card in the same position as the original TI keyboard and plug the 15 pin connector onto the main board.
- 7) Plug the four wire power cable connector from the main board to the connector on the RAVE 99 interface card marked JC3. Route any excess cable length over the main board shield. See FIG. 3.

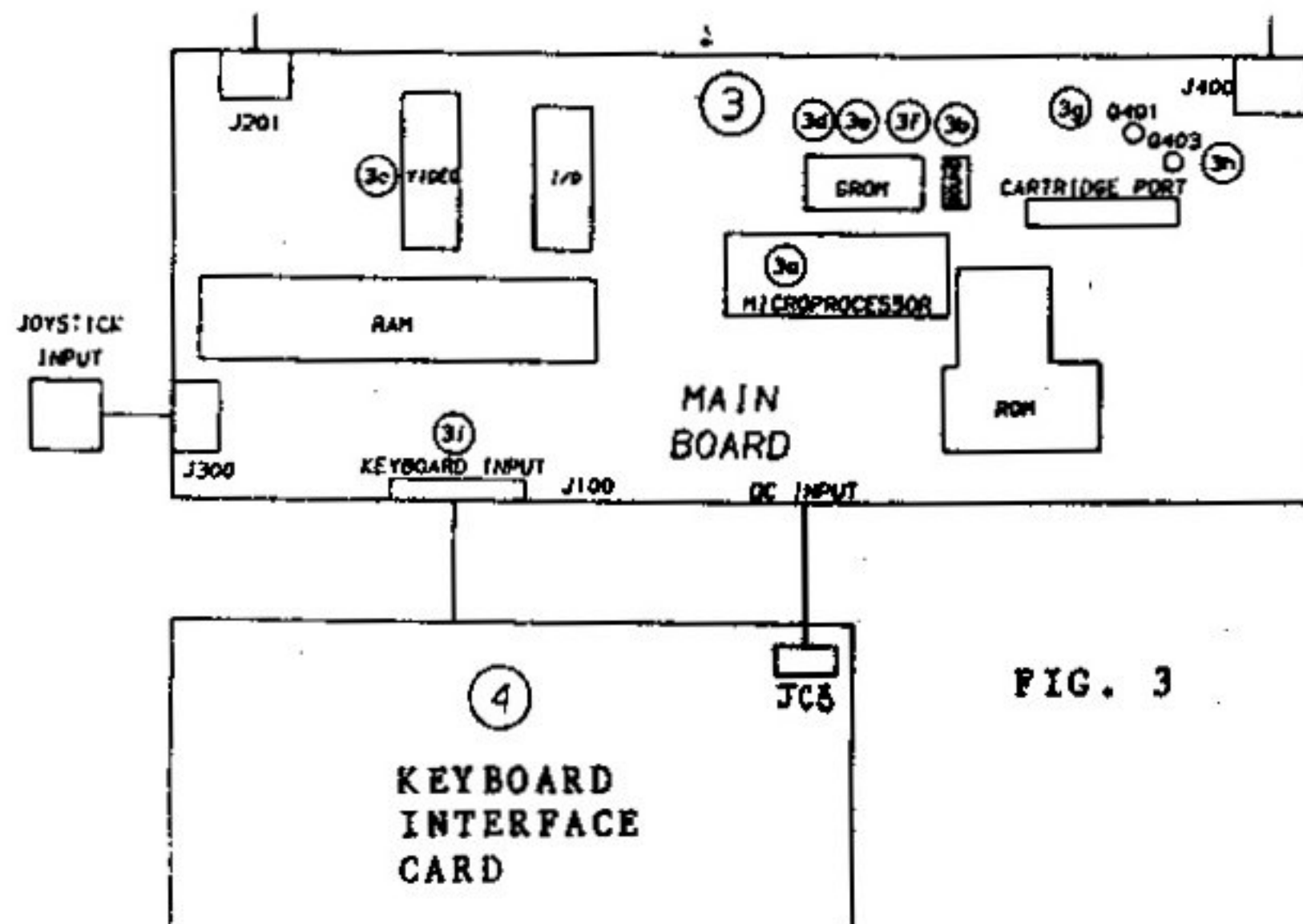
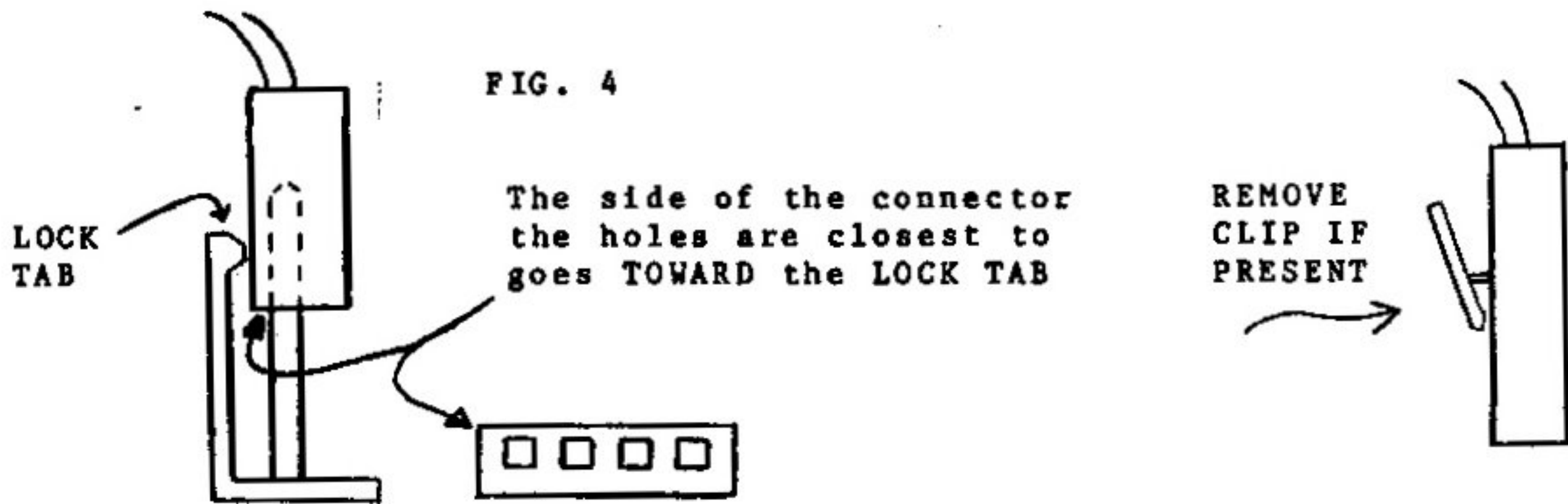


FIG. 3

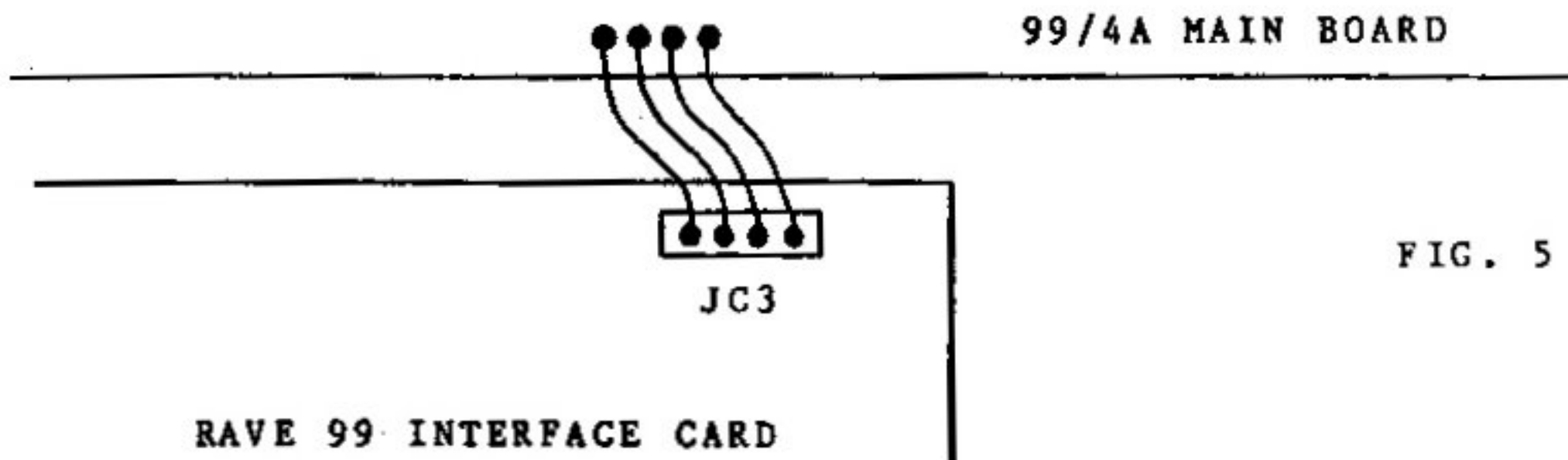


CAUTION: PAY CLOSE ATTENTION TO THE ORIENTATION OF THE POWER SUPPLY CONNECTORS . SEE FIG. 4. REMOVE THE SMALL CLIP AS INDICATED.

\*\*\*\*\*  
 \*  
 \*  
 \* WARNING ! INCORRECT ORIENTATION OF THE POWER SUPPLY CONNECTOR \*  
 \* WILL DAMAGE THE RAVE 99 INTERFACE CARD AND THE TI 99/4A \*  
 \* MAIN BOARD. ENSURE THAT THE ORIENTATION IS CORRECT! \*  
 \*  
 \*  
 \*\*\*\*\*



WHEN CONNECTED CORRECTLY, THE RIGHT HAND WIRE ON THE CONNECTOR ATTACHED TO THE KEYBOARD INTERFACE SHOULD ALSO BE THE RIGHT MOST WIRE ON THE MAIN BOARD. SEE FIG. 5.



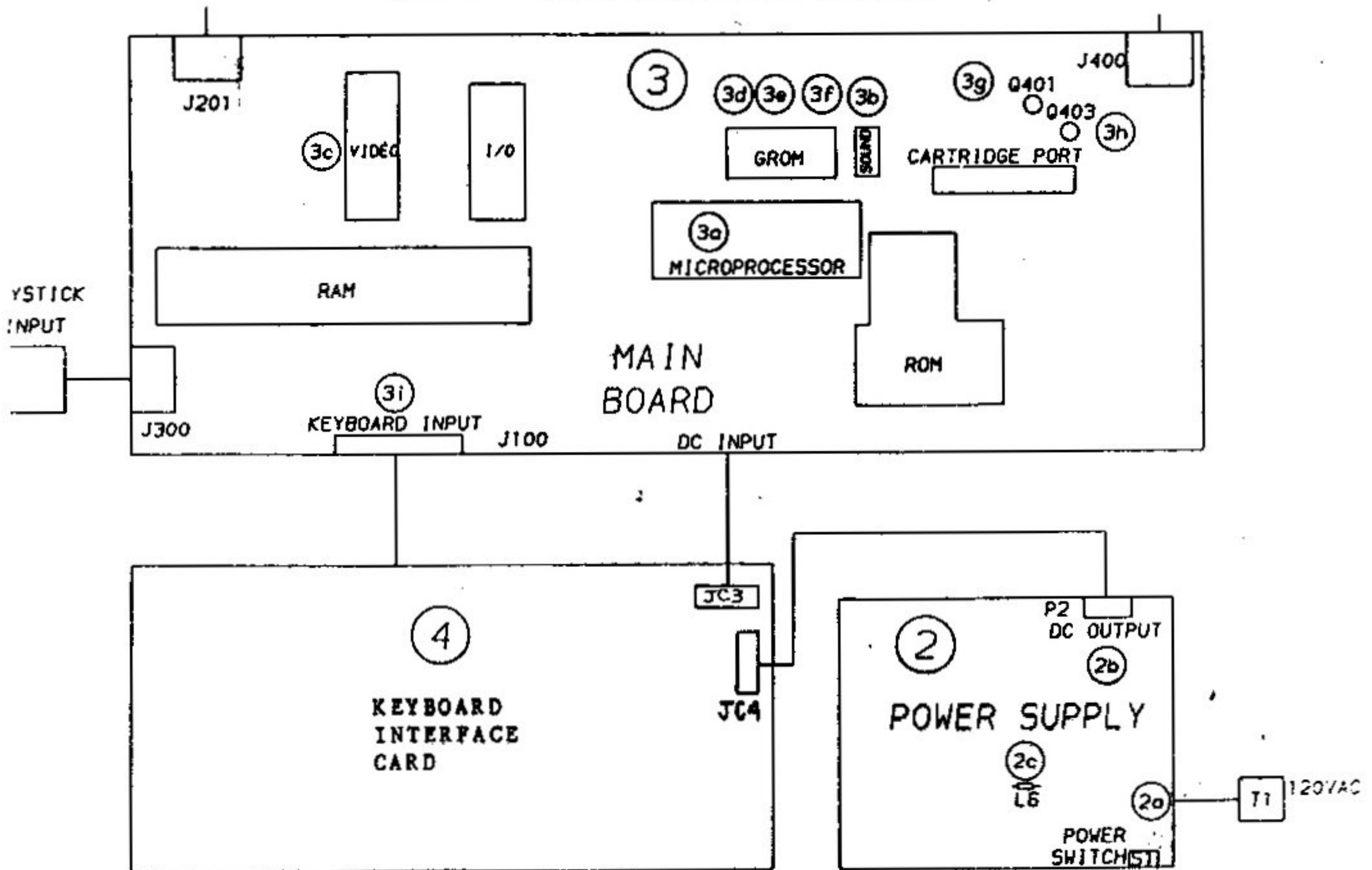
- 8) Place the console top cover in place and again place the console "bottom side" up. Remove the console bottom cover and secure the motherboard and RAVE 99 Keyboard interface card using the screws removed earlier.
- 9) Plug the free end of the RAVE 99 power adapter cable to the POWER SUPPLY board and ENSURE POLARITY IS CORRECT. See FIG. 4

\*\*\*\*\*  
 \*  
 \*  
 \* **WARNING ! INCORRECT ORIENTATION OF THE POWER SUPPLY CONNECTOR** \*  
 \* **WILL DAMAGE THE RAVE 99 INTERFACE CARD AND THE TI 99/4A** \*  
 \* **MAIN BOARD. ENSURE THAT THE ORIENTATION IS CORRECT!** \*  
 \*  
 \*  
 \*\*\*\*\*

- 10) Secure power supply board in console with screws removed earlier. Ensure the ON/OFF switch adapter is properly engaged with the switch.
- 11) Reassemble console bottom cover with the top cover and secure with the remaining screws. On black consoles insert the ON/OFF switch operator. AT THIS POINT, THE ONLY PART OF THE ORIGINAL CONSOLE LEFT SHOULD BE THE TI KEYBOARD.

At this point, your wiring should be the same as shown in FIG. 6.

FIG. 6 FINAL CONNECTION DIAGRAM



- 12) To prevent possible damage to other equipment if a wiring error has been made, it is suggested that the computer be energized without peripherals attached for the first time.





## LAYOUT

---

Your MODEL 99/84 Keyboard is easy to use after taking a few minutes to read the descriptions of the differences between this keyboard and the standard 99/4A listed below.

---

ALT - This key performs the same function as the 99/4A FCTN key when used with letters, numbers, and punctuation symbols found on that keyboard. The numbers on the number pad portion of the key board may be used with the ALT key.

---

CTRL - This key works the same as on the 99/4A keyboard. The number pad keys may also be used with the CTRL key.

---

CAPS LOCK - This key works the same as the ALPHA LOCK key except that it does not interfere with joystick operation when engaged. The indicator light on the key is on when the interface card is in the CAPS LOCK mode. You can obtain lower case letters without leaving the CAPS LOCK mode by pressing the SHIFT key and the desired letter. In addition to shifting all letters to upper case, the 99/84 also places the often used double quote (") into the unshifted key position for convenience in the command mode. The single quote (') becomes the SHIFTED character in this case.

---

NUM LOCK - This key determines the operating mode of the keys on the 99/84 cursor control/number pad. When the indicator light is off, the keys perform their cursor control functions as follows:

ARROW KEYS(2,4,6,8)	CURSOR DIRECTION(FCTN+S,D,E,X)
HOME(7)	TI WRITER"HOME"(CTRL+L)
PG UP(9)	TI WRITER"ROLL UP"(FCTN+6)
PG DN(3)	TI WRITER"ROLL DOWN"(FCTN+4)
INS(0)	INS: CHAR(FCTN+2)
DEL(.)	DEL CHAR(FCTN+1)

When the indicator light is on, the keys act as a number pad.

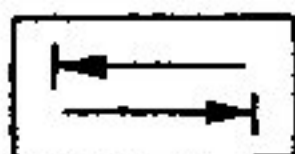
The NUM LOCK mode may be temporarily reversed without operating the NUM LOCK key by using the SHIFT key. For example, with NUM LOCK ON, the cursor may be moved left by pressing SHIFT and the number pad "4" key (left arrow).

---

SCROLL LOCK - Ignore the word "lock". This key scrolls the screen to the right or "windows" when using TI WRITER.

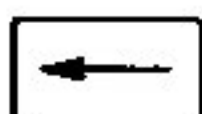
PRT SC - (PRINT SCREEN) This key returns a Print Catalog command (FCTN+P) when used with the MYARC disk controller and software. To print press SHIFT and PRT SC. To abort(FCTN+4), press PRT SC.

---



TAB/BACK TAB - This key returns a TAB(FCTN+7) when pressed and a BACK TAB(CTRL T) when pressed with SHIFT when using TI WRITER, EDITOR/ASSEMBLER or compatible software.

---



BACKSPACE - This key returns a FCTN+S to move the cursor to the left.

---

FUNCTION KEYS (F1 through F10) These provide the following functions:

\* One key entry of 99/4A FCTN+1 through FCTN+0 commands. For example, F5 is the same as FCTN+5 on the 99/4A

\*When SHIFTed, inputs 99/4A CTRL+1 through CTRL+0 commands. Pressing SHIFT and F4 returns CTRL+4.

\*When used with the CTRL key returns the following special inputs:

CTRL + F1	RESERVED
CTRL + F2	FCTN+SHIFT+P (FAST TERM)
CTRL + F3	FCTN+SHIFT+T (FAST TERM)
CTRL + F4	FCTN+SHIFT+X (FAST TERM)
CTRL + F9	MISSING KEY #1
CTRL + F10	MISSING KEY #2

See the MISSING KEYS portion of the manual for explanation of missing key codes.

\*When used with the ALT key provides the following functions when optional user installed wiring is attached:

ALT + F1	LOAD INTERRUPT
ALT + F9	COMPUTER RESET

\*\*\*\*\*  
\*  
\* CAUTION - USE OF THE LOAD INTERRUPT WITHOUT PROPER SOFTWARE \*  
\* CAN CAUSE THE COMPTER TO LOCK UP. THE COMPUTER RESET \*  
\* WILL OCCUR AT ANY TIME THE ALT AND F10 KEYS ARE \*  
\* PRESSED. POSSIBLE LOSS OF DATA MAY OCCUR. \*  
\*  
\*\*\*\*\*



## Missing Keys

-----

The original TI keyboard had more key code capacity than they had actual keys. The RAVE 99 keyboard takes advantage of these unused MISSING keys by returning their key codes for your use. You can be confident that these keys are truly unused key codes that have never been used in a program up to now. We have called these keys appropriately MISSING Key 1 and MISSING key 2.

These keys are generated by the following:

MISSING KEY 1 - Ctrl + F9

MISSING KEY 2 - Ctrl + F10

## DETECTION OF MISSING KEYS

-----

### BASIC or XBASIC programs

Only MISSING key 1 is available in these programs and is detected by a -1 in the "return variable" when using the CALL KEY subprogram.

### ASSEMBLY LANGUAGE programs

In this language both MISSING keys are available for use.

Below is a segment of ASSEMBLY code to detect each of the missing keys.

NOTE! THIS IS NOT A COMPLETE PROGRAM, ONLY AN EXAMPLE.

```
MIS1      EQU 6          DISPLACEMENT FOR MISSING KEY 1
MIS2      EQU 10         DISPLACEMENT FOR MISSING KEY 2

MSG1      TEXT 'MISSING KEY 1'
CLRLN     TEXT '

CHECK1    CLR R12        POINT TO KEYBOARD
          TB MIS1        TEST FOR MISSING KEY 1.
          JEQ BLANK     BRANCH IF NOT PRESSED.
          LI R0,32+2    SETUP SCREEN POSITION.
          LI R1,MSG1    GET MSG ADR.
          LI R2,9       MSG LENGTH.
          BLWP @@VMBW   DISPLAY IT.
          JMP CHECK1    REPEAT.

BLANK     LI R0,32+2    SETUP SCREEN POSITION
          LI R1,CLRLN   GET THE "BLANK" LINE ADR.
          LI R2,9       MSG LENGTH.
          BLWP @@VMBW   BLANK THE SCREEN.
          JMP CHECK1    REPEAT.
```

## USER INSTALLED OPTIONS

NOTICE: THE INFORMATION BELOW PROVIDES THE USER WITH THE TECHNICAL INFORMATION NECESSARY TO INSTALL KEYBOARD CONTROLLED LOAD INTERRUPT AND COMPUTER RESET CAPABILITIES. RAVE 99 MAKES NO CLAIM AS TO THE USERS ABILITY TO SUCCESSFULLY INSTALL THESE FEATURES OR TO THEIR SUITABILITY FOR ANY INTENDED USE.

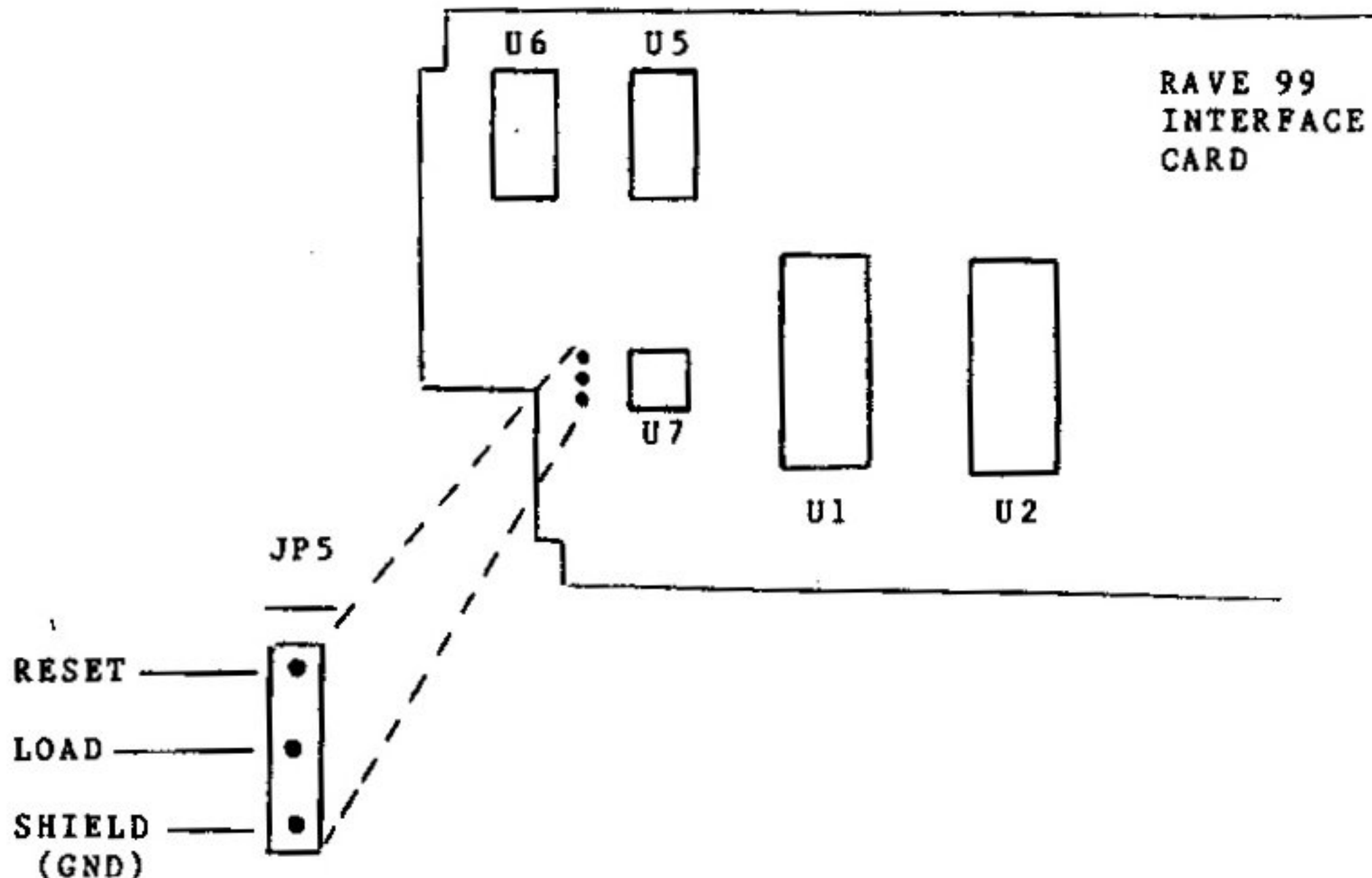
RAVE 99 WARRANTS ONLY THAT THE FEATURES OPERATE AS INTENDED BY RAVE 99 WHEN CORRECTLY INSTALLED. THE USER ASSUMES ALL RISK ASSOCIATED WITH MAKING PHYSICAL ALTERATION OF THE MAIN COMPUTER BOARD.

The diagrams below show the correct circuit points for connection of the LOAD and RESET features. Also provided are suggested physical connection points that have been tested by RAVE 99. For information on use of these features, see the ALT key description in the LAYOUT section of the manual.

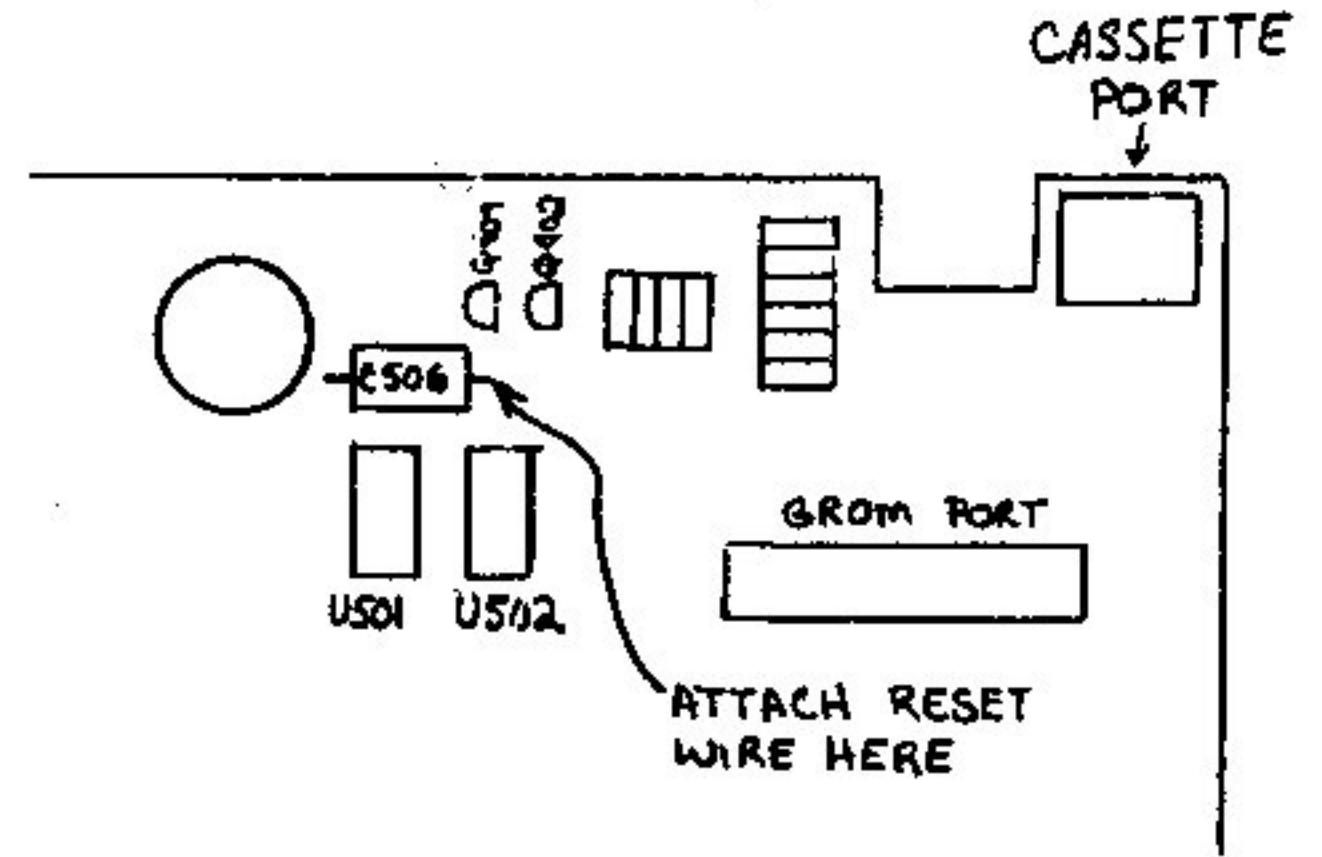
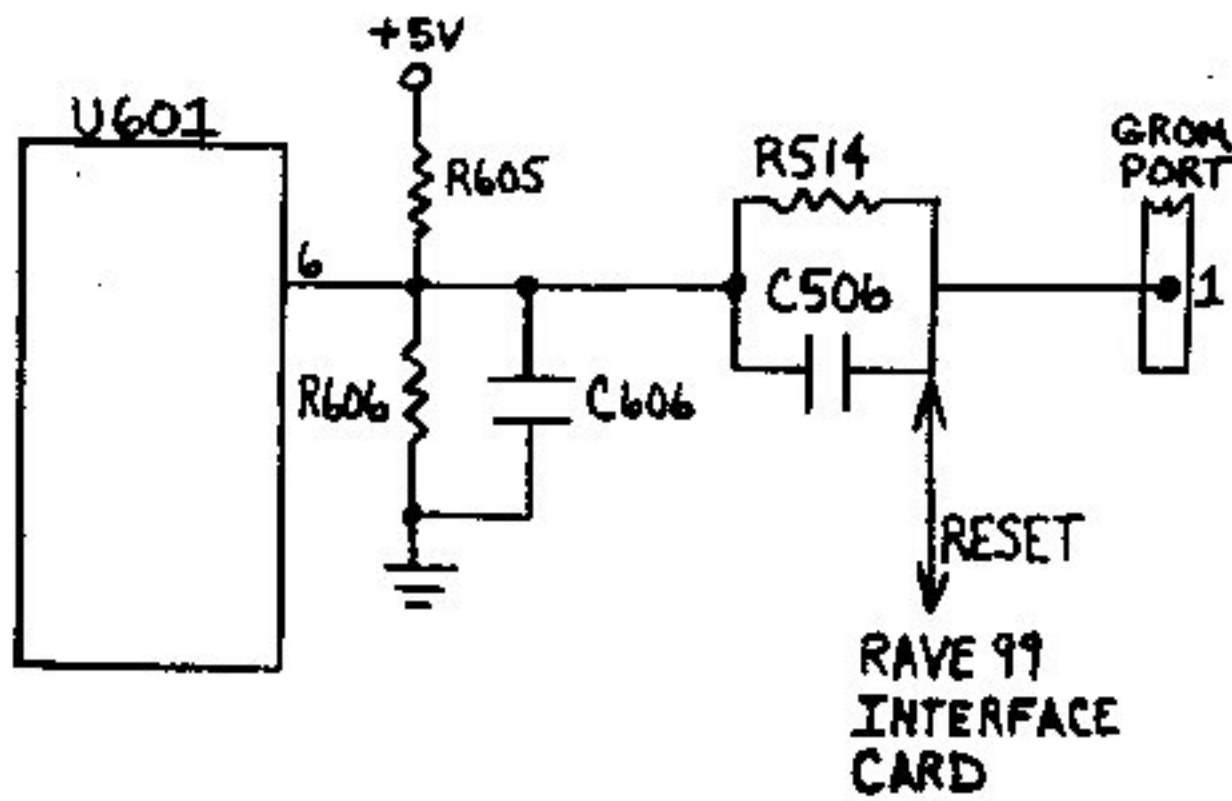
\*\* An installation kit is available from RAVE 99 which includes a connector for the interface card connected to a ready to solder harness of proper length. The LOAD/RESET KIT can be obtained directly from RAVE 99 for \$4.00.

NOTE: installation of the RESET feature disables the automatic RESET that normally occurs when inserting a module with the computer energized. It may be necessary, depending on application, to perform a RESET from the keyboard after inserting a module.

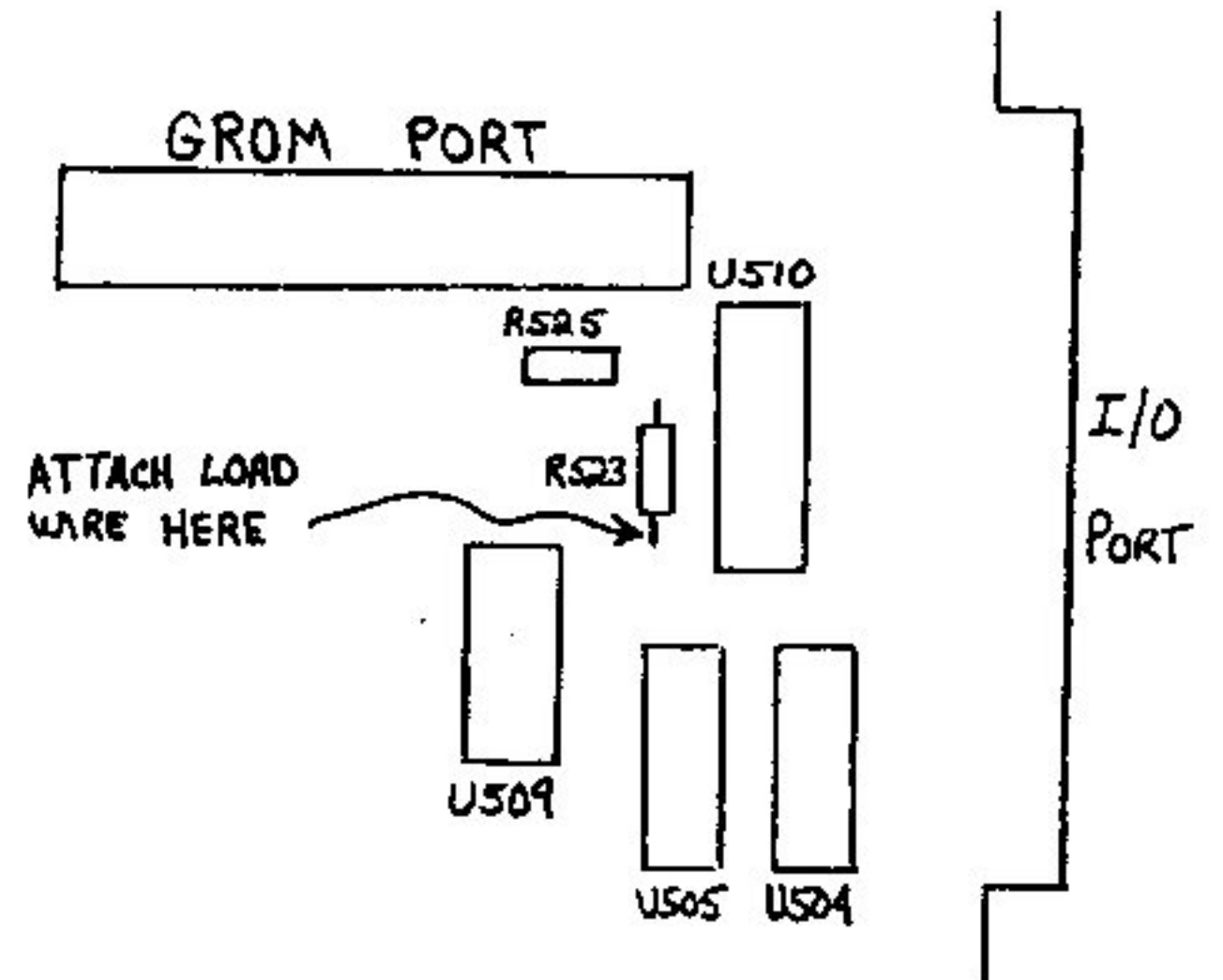
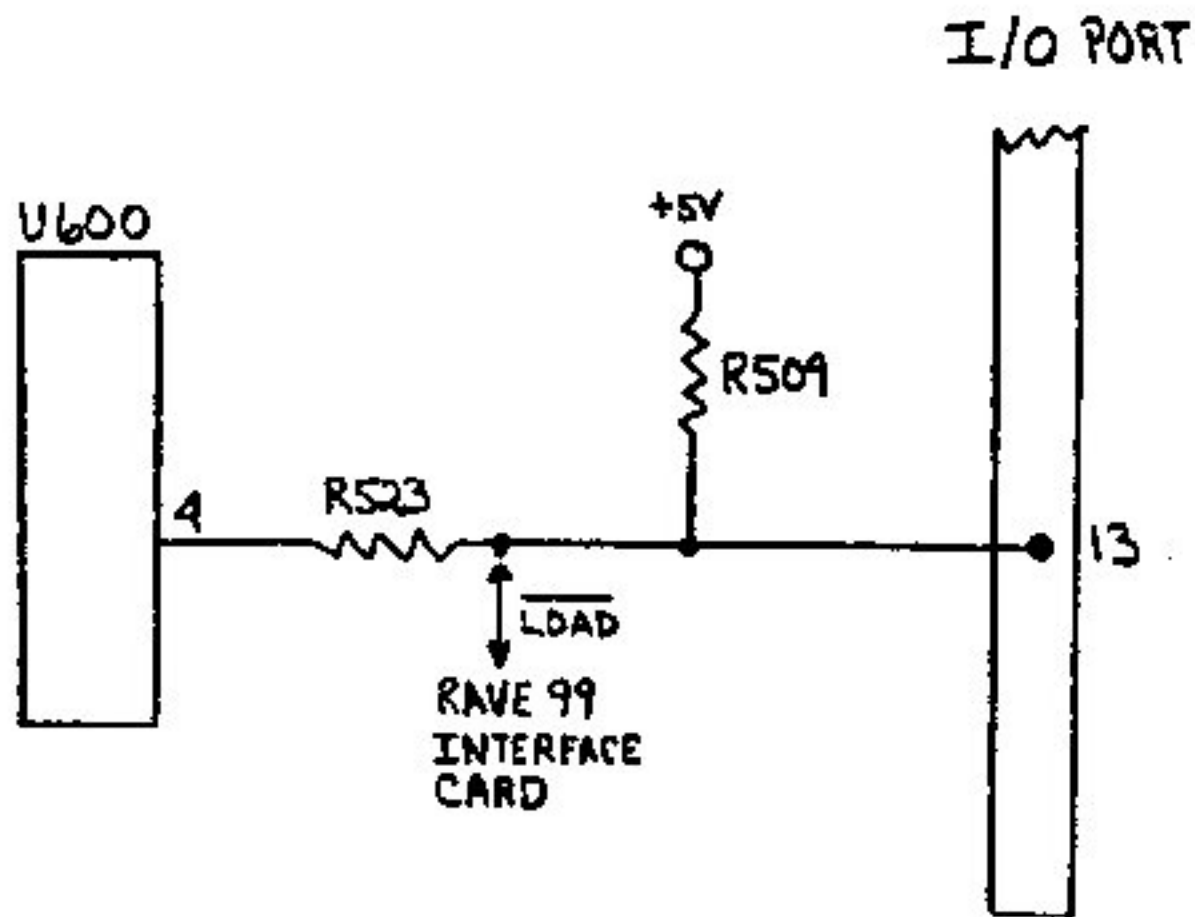
### INTERFACE CARD CONNECTION



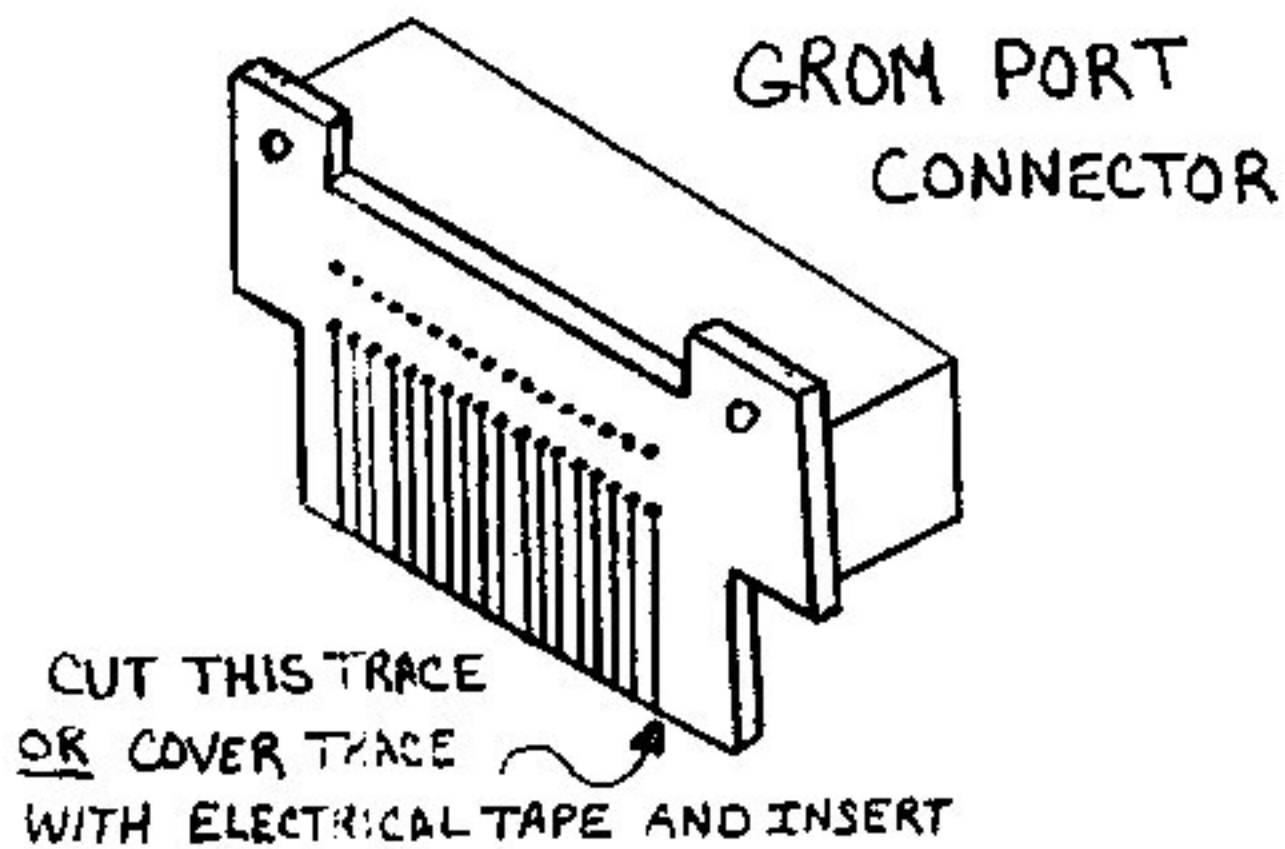
**RESET CONNECTION**



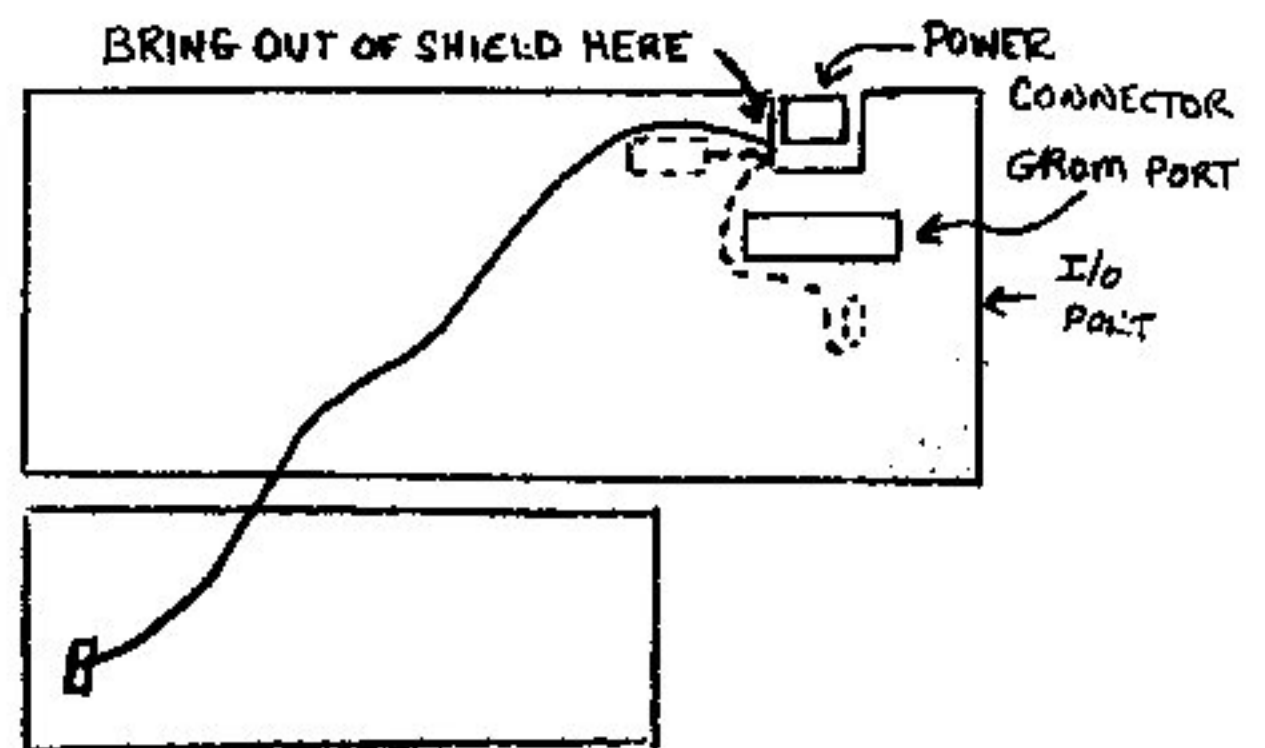
**LOAD INTERRUPT CONNECTION**



**GROM PORT CONNECTOR MODIFICATION**



**CABLE ROUTING**





### THREE-MONTH LIMITED WARRANTY

---

This RAVE 99 KEYBOARD ENHANCEMENT Warranty Extends To The Original Consumer Purchaser of the Accessory.

### WARRANTY DURATION

---

This KEYBOARD ENHANCEMENT is Warranted for a period of three(3) months from the date of the original purchase by the consumer.

### WARRANTY COVERAGE

---

This KEYBOARD ENHANCEMENT is Warranted against defective materials or workmanship. THIS WARRANTY IS VOID IF THE ACCESSORY HAS BEEN DAMAGED BY ACCIDENT, UNREASONABLE USE, NEGLIGENCE, IMPROPER SERVICE OR OTHER CAUSES NOT ARISING OUT OF DEFECTS IN MATERIALS OR WORKMANSHIP.

### WARRANTY DISCLAIMERS

---

ANY IMPLIED WARRANTIES ARISING OUT OF THIS SALE, INCLUDING BUT NOT LIMITED TO THE IMPLIED WARRANTIES OF MERCHANTABILITY AND FITNESS FOR A PARTICULAR PURPOSE, ARE LIMITED IN DURATION TO THE ABOVE THREE-MONTH PERIOD. RAVE 99 SHALL NOT BE LIABLE FOR LOSS OF USE OF THE HARDWARE OR OTHER INCIDENTAL OR CONSEQUENTIAL COSTS, EXPENSES, OR DAMAGES INCURRED BY THE CONSUMER OR ANY OTHER USER.

Some states do not allow the exclusion or limitation of implied warranties or consequential damages, so the limitations or exclusions may not apply to you in these states.

### LEGAL REMEDIES

---

This warranty gives you specific legal rights, and you may have other rights that vary from state to state.

### WARRANTY PERFORMANCE

---

During the above three month period, your Keyboard Enhancement will be repaired or replaced with a new or recoditioned unit of the same or equivalent model(at RAVE 99's option) when the unit is returned by prepaid shipment to RAVE 99 at the address below. The repaired or replacement unit will be warranted for three months from the date of repair or replacement. Other than the postage requirement, no charge will made for repair or replacement of in-warranty units.

RAVE 99 strongly recommends that you insure the unit for value prior to shipping.

SHIP TO :

RAVE 99 CO.  
23 FLORENCE RD.  
BLOOMFIELD, CT. 06002